

ICE series systems

Polyamide Injection Systems



Perfect insulation for your electrical components.

The ICE systems offer the highest technological level, a complete system designed to insulate your electrical connectors and integrate perfectly into your production line.

Ice series systems:

- User-friendly operation
- Enables increase in production
- Helps maintain process

PLC based control technology system



Dosing gun with pressure and volume control.



Low pressure operation.

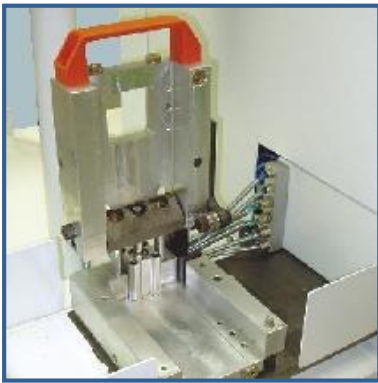


Sliding table with moulds enables swift production.



Polyamide special unit with coldhopper design.

ICE series systems



Completely guaranteed moulds.



Built-in refrigeration system.

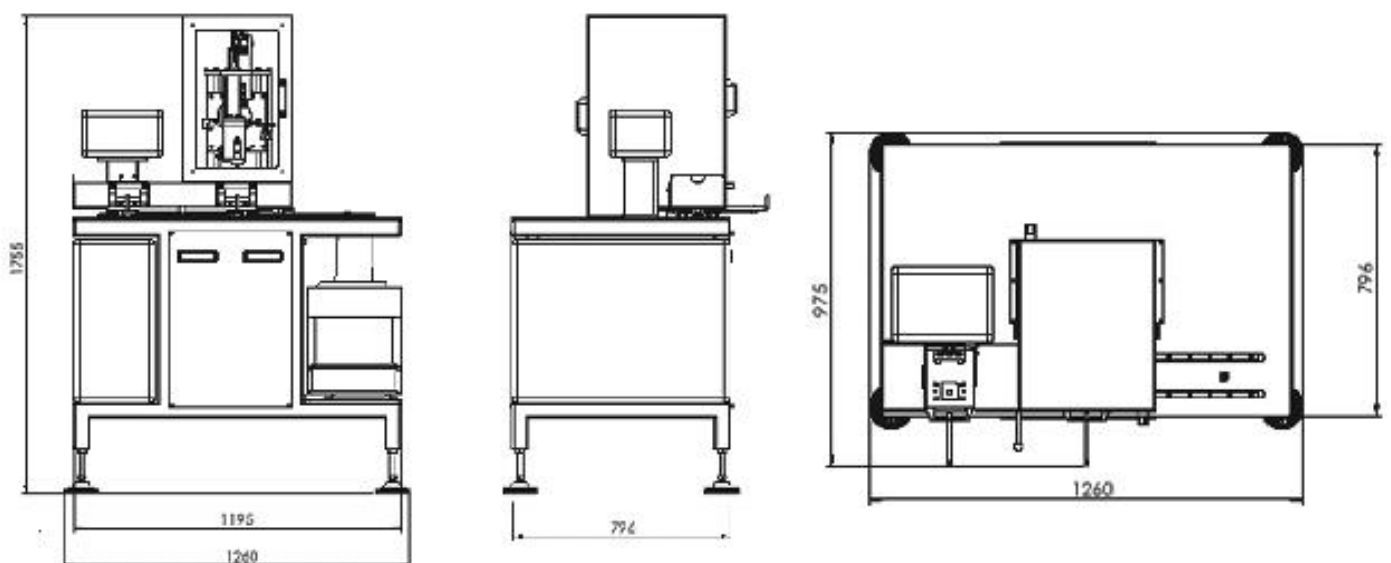


Touch-screen panel for operation.

Technical Characteristics

Characteristics	Ice series systems		
System	ICE201-30	ICE201-90	ICE201-L
Mould size	Small	Large	Small
Maximum injection volume	37 c.c.	95 c.c.	45 c.c.
Working temperature	30 – 240°C.		
Working hydraulic pressure	1 to 35 bar	1 to 35 bar	5 to 60 bar

Dimensions



Lim-Tech ApS
 Industrivej 5 - 7120 Vejle Ø
 Tlf.: 75-711977 Fax: 75-712877
 WWW.Lim-Tech.dk